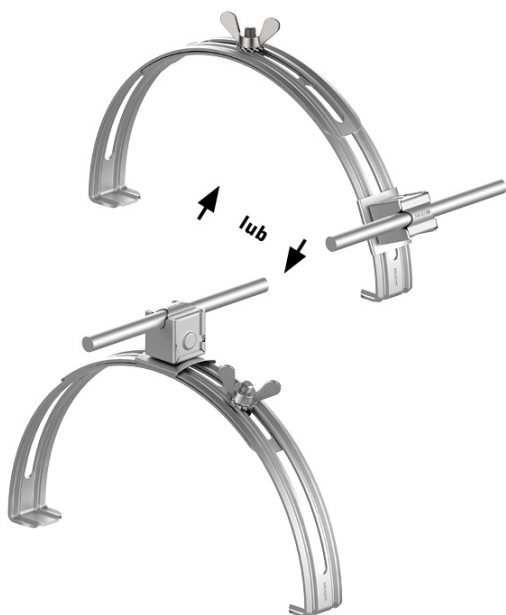


HOLDERS ridge tile extendable EasyM

D283336



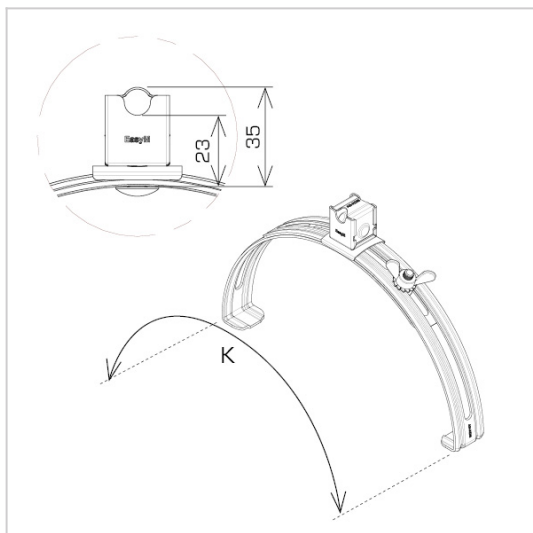
WERSJA MATERIAŁOWA:

stainless acid-resistant V4A steel

OPIS:

Extendable ridge tile holders fit most cylindrical ridge tiles. Selection of the appropriate handle is done by checking the range K.

Cable fixing is made of stainless steel



symbol typ	D283336 AN-15EM/OH/-N
K(clamp range)	245 - 415
wersja materiałowa	stainless acid-resistant V4A steel



AN-KOM 2 Sp. z o.o.
Inwałd, ul. ks. Władysława
Bukowińskiego 15
34-120 Andrychów



an-kom.pl
sales@an-kom.pl



tel./fax
+48 605 527 132