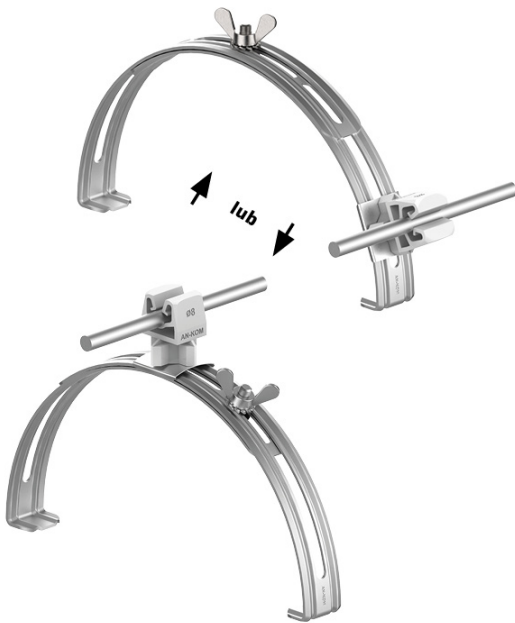


**HOLDERS** ridge tile extendable

**D283292**

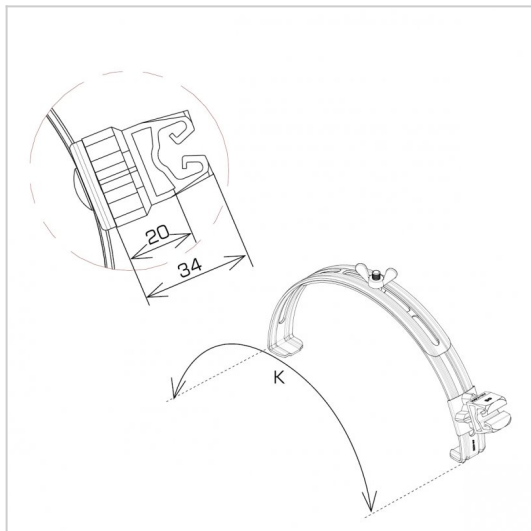


**MATERIAL:**

stainless acid-resistant V4A steel

**DESCRIPTION:**

Extendable ridge tile holders fit most cylindrical ridge tiles. Selection of the appropriate handle is done by checking the range K.



<b>symbol</b> type	<b>D283292</b> AN-15P/OH/S-N
<b>pole colour</b>	RAL 7047
<b>K(clamp range)</b>	245 - 415
<b>pattern</b>	pattern 4
<b>cabl(e)mm)</b>	Ø8
<b>material</b>	stainless acid-resistant V4A steel



AN-KOM 2 Sp. z o.o.  
Inwałd, ul. ks. Władysława  
Bukowińskiego 15  
34-120 Andrychów



an-kom.pl  
sales@an-kom.pl



tel./fax  
+48 605 527 132