

HOLDERS ridge tile profiled

D283240

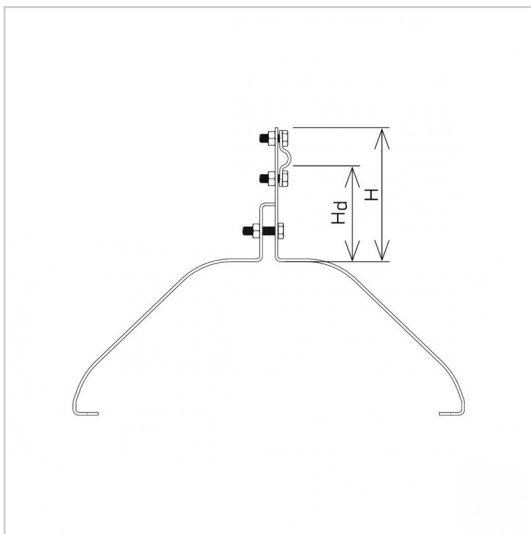


WERSJA MATERIAŁOWA:

stainless acid-resistant V4A steel

OPIS:

Profiled ridge tile holders are dedicated to specific ridge tiles. The selection of the holder is based on the name of the manufacturer and the ridge tile. In the case of a metal tile holder, the selection of the holder is based on the dimensions in the product data sheet.



symbol typ	D283240 AN-152N/OH/
MANUFACTURER ridge tile name	ROBEN Bergamo
H(mm)	96
Hd(mm)	70
pattern	pattern 38
cabale(mm)	Ø8
wersja materiałowa	stainless acid-resistant V4A steel



AN-KOM 2 Sp. z o.o.
Inwałd, ul. ks. Władysława
Bukowińskiego 15
34-120 Andrychów



an-kom.pl
sales@an-kom.pl



tel./fax
+48 605 527 132