

HOLDERS ridge tile profiled

D283196

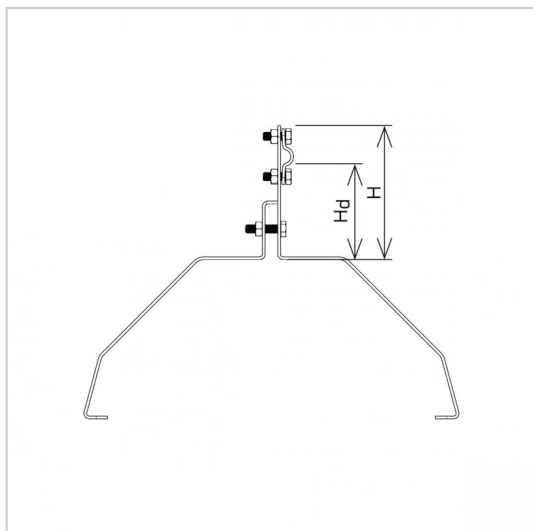


MATERIAL:

stainless acid-resistant V4A steel

DESCRIPTION:

Profiled ridge tile holders are dedicated to specific ridge tiles. The selection of the holder is based on the name of the manufacturer and the ridge tile. In the case of a metal tile holder, the selection of the holder is based on the dimensions in the product data sheet.



symbol type	D283196 AN-152A/OH/
MANUFACTURER ridge tile name	ERLUS Gaşior nr 14, 17
H(mm)	96
Hd(mm)	70
pattern	pattern 27
cable(mm)	Ø8
material	stainless acid-resistant V4A steel



AN-KOM 2 Sp. z o.o.
 Inwałd, ul. ks. Władysława
 Bukowińskiego 15
 34-120 Andrychów



an-kom.pl
 sales@an-kom.pl



tel./fax
 +48 605 527 132