

**HOLDERS** ridge tile profiled

**D283160**

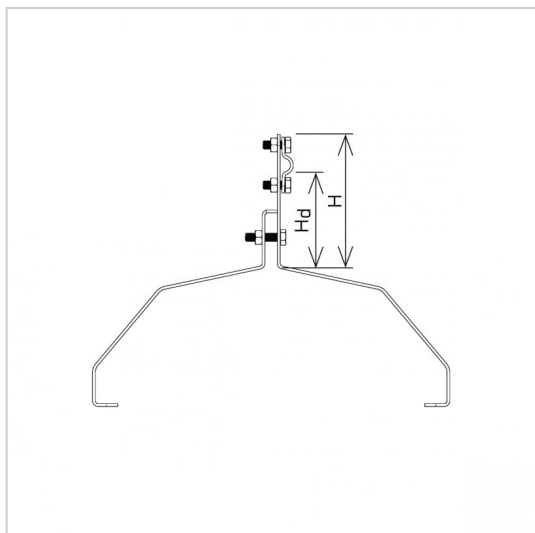


**MATERIAL:**

stainless acid-resistant V4A steel

**DESCRIPTION:**

Profiled ridge tile holders are dedicated to specific ridge tiles. The selection of the holder is based on the name of the manufacturer and the ridge tile. In the case of a metal tile holder, the selection of the holder is based on the dimensions in the product data sheet.



<b>symbol</b> type	<b>D283160</b> AN-151N/OH/
<b>MANUFACTURER</b> ridge tile name	MONIER/ BRAAS/ RUPP CERAMIKA Tegalit, Teviva (concrete)
<b>H(mm)</b>	96
<b>Hd(mm)</b>	70
<b>pattern</b>	pattern 18
<b>cable(mm)</b>	Ø8
<b>material</b>	stainless acid-resistant V4A steel



AN-KOM 2 Sp. z o.o.  
Inwałd, ul. ks. Władysława  
Bukowińskiego 15  
34-120 Andrychów



an-kom.pl  
sales@an-kom.pl



tel./fax  
+48 605 527 132