

HOLDERS ridge tile profiled

D193324

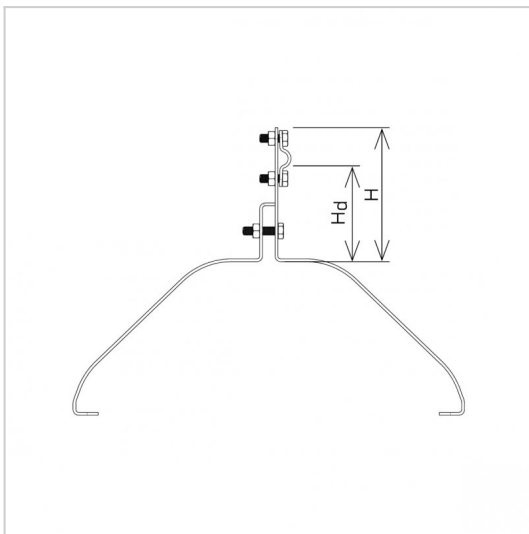


WERSJA MATERIAŁOWA:

hot galvanised steel

OPIS:

Profiled ridge tile holders are dedicated to specific ridge tiles. The selection of the holder is based on the name of the manufacturer and the ridge tile. In the case of a metal tile holder, the selection of the holder is based on the dimensions in the product data sheet.



symbol typ	D193324 AN-152N/OG/-N
MANUFACTURER ridge tile name	ROBEN Bergamo
H(mm)	96
Hd(mm)	70
pattern	pattern 38
cabl(e)(mm)	Ø8
wersja materiałowa	hot galvanised steel



AN-KOM 2 Sp. z o.o.
 Inwałd, ul. ks. Władysława
 Bukowińskiego 15
 34-120 Andrychów



an-kom.pl
 sales@an-kom.pl



tel./fax
 +48 605 527 132