

**HOLDERS** ridge tile universal

**D193016**

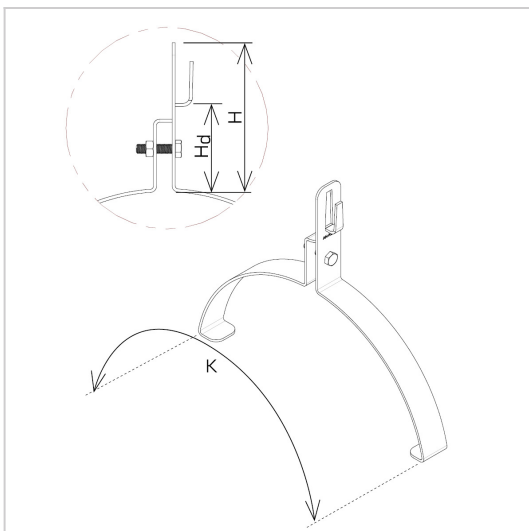


**MATERIAL:**

hot galvanised steel

**DESCRIPTION:**

Universal ridge tile holders fit selected cylindrical ridge ridges. Selection of the appropriate handle is done by checking the range K.



|                       |                      |
|-----------------------|----------------------|
| <b>symbol</b>         | <b>D193016</b>       |
| <b>type</b>           | AN-15/OG/            |
| <b>K(clamp range)</b> | 297 - 307            |
| <b>Hd(mm)</b>         | 65                   |
| <b>H(mm)</b>          | 98                   |
| <b>pattern</b>        | pattern 1            |
| <b>cable(mm)</b>      | Ø8                   |
| <b>material</b>       | hot galvanised steel |



AN-KOM 2 Sp. z o.o.  
Inwałd, ul. ks. Władysława  
Bukowińskiego 15  
34-120 Andrychów



an-kom.pl  
sales@an-kom.pl



tel./fax  
+48 605 527 132