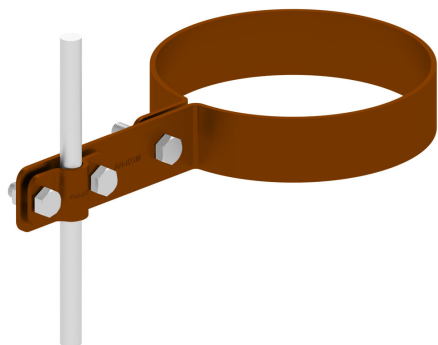


HOLDERS GUTTER drain pipe

C462540



MATERIAL:

painted

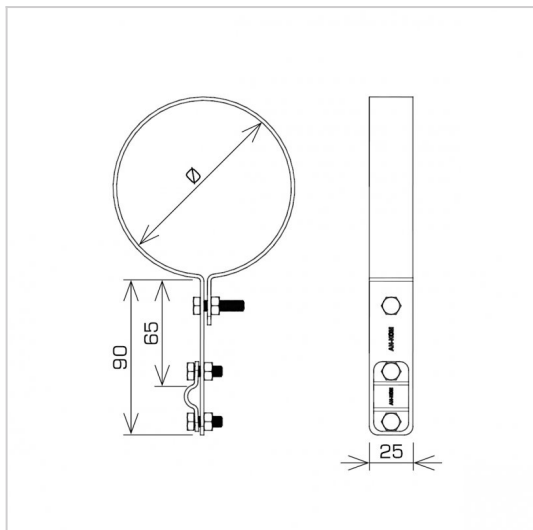
DESCRIPTION:

Conducting vertical air terminals along the drain pipe.

AVAILABLE COLOURS:

RAL 3011 - **red**, RAL 8017 - **dark brown**, RAL 7016 - **anthracite grey**,
RAL 7026 - **granite grey**, RAL 8004 - **brown (brick colour)**, RAL 9005 - **black**

DOSTĘPNE W KOLORACH



symbol	C462540
type	AN-70G/LA/
Ø(mm)	120
cablе(mm)	Ø8
material	painteԁ



AN-KOM 2 Sp. z o.o.
Inwałԁ, ul. ks. Włԁysława
Bukowińskiego 15
34-120 Andrychów



an-kom.pl
sales@an-kom.pl



tel./fax
+48 605 527 132