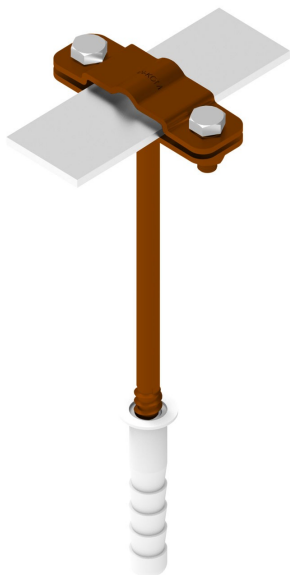


HOLDERS TAPE CONDUCTOR screw-in

C462368



**WERSJA MATERIAŁOWA:**

painted

**OPIS:**

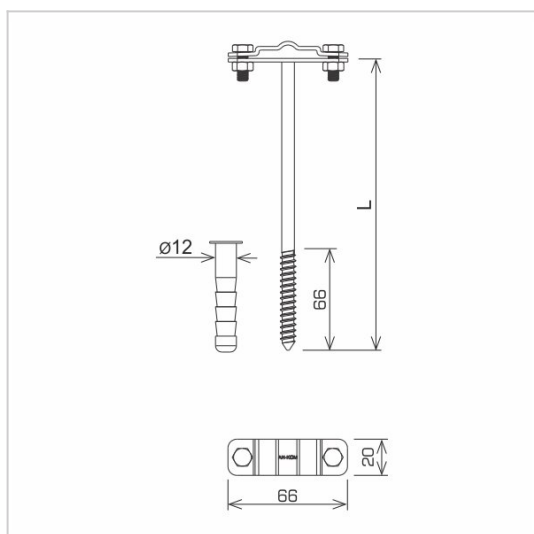
Flat conductor (tape conductor holder) mounting holder with expansion bolt included. Wall or foundation mounting.

\*B - maximum tape conductor holder width

**AVAILABLE COLOURS:**

RAL 3011 - **red**, RAL 8017 - **dark brown**, RAL 7016 - **anthracite grey**,  
RAL 7026 - **granite grey**, RAL 8004 - **brown (brick colour)**, RAL 9005 - **black**

DOSTĘPNE W KOLORACH



|                           |                              |
|---------------------------|------------------------------|
| <b>symbol</b><br>typ      | <b>C462368</b><br>AN-45A/LA/ |
| <b>L(mm)</b>              | 300                          |
| <b>conductor(mm)</b>      | B* to 30<br>or<br>Ø8         |
| <b>wersja materiałowa</b> | painted                      |



AN-KOM 2 Sp. z o.o.  
Inwałd, ul. ks. Władysława  
Bukowińskiego 15  
34-120 Andrychów



an-kom.pl  
sales@an-kom.pl



tel./fax  
+48 605 527 132