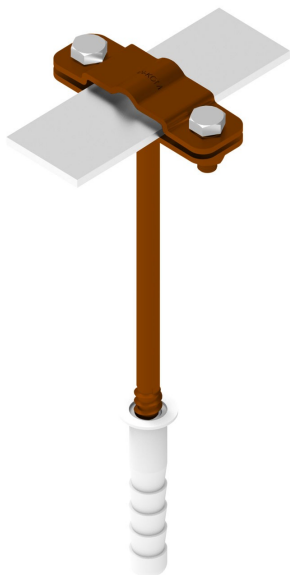


HOLDERS TAPE CONDUCTOR screw-in

C462336



**WERSJA MATERIAŁOWA:**

painted

**OPIS:**

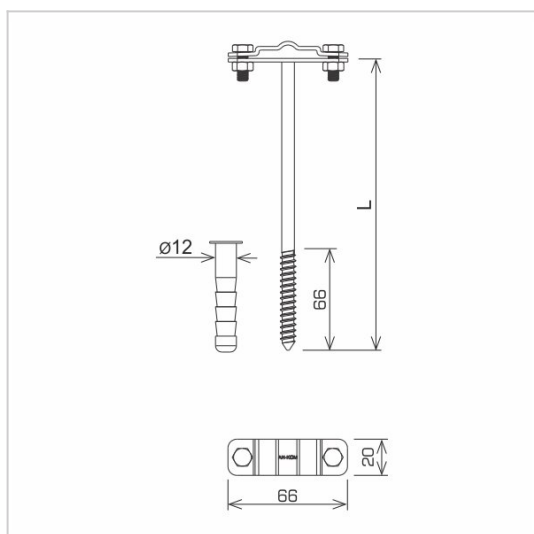
Flat conductor (tape conductor holder) mounting holder with expansion bolt included. Wall or foundation mounting.

\*B - maximum tape conductor holder width

**AVAILABLE COLOURS:**

RAL 3011 - **red**, RAL 8017 - **dark brown**, RAL 7016 - **anthracite grey**,  
RAL 7026 - **granite grey**, RAL 8004 - **brown (brick colour)**, RAL 9005 - **black**

DOSTĘPNE W KOLORACH



<b>symbol</b> typ	<b>C462336</b> AN-41A/LA/
<b>L(mm)</b>	160
<b>conductor(mm)</b>	B* to 30 or Ø8
<b>wersja materiałowa</b>	painted



AN-KOM 2 Sp. z o.o.  
Inwałd, ul. ks. Władysława  
Bukowińskiego 15  
34-120 Andrychów



an-kom.pl  
sales@an-kom.pl



tel./fax  
+48 605 527 132