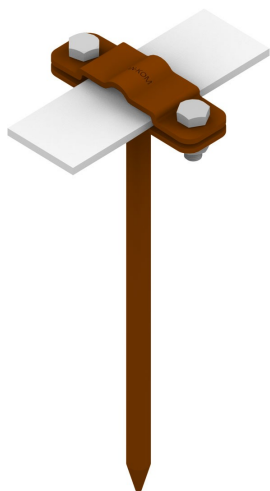


**HOLDERS TAPE CONDUCTOR hammered**

**C462304**



**WERSJA MATERIAŁOWA:**

painting

**OPIS:**

For routing flat conductors (tape conductor holder) along the wall or foundation. The holder designed for wooden constructions. Installation is done by hammering the handle into the ground.

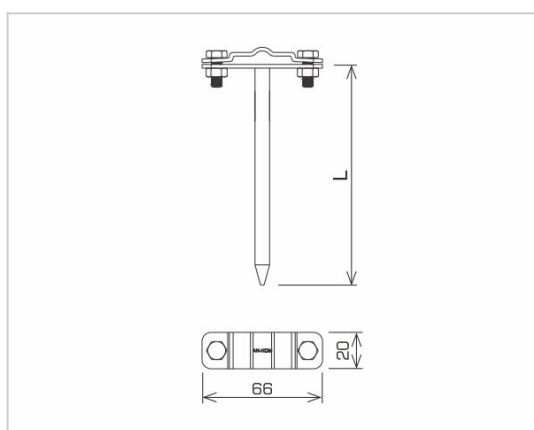
\*B - maximum tape conductor holder width

The holder is also used to mount the round conductor.

**AVAILABLE COLOURS:**

RAL 3011 - **red**, RAL 8017 - **dark brown**, RAL 7016 - **anthracite grey**, RAL 7026 - **granite grey**, RAL 8004 - **brown (brick colour)**, RAL 9005 - **black**

DOSTĘPNE W KOLORACH



<b>symbol</b> typ	<b>C462304</b> AN-36A/LA/
<b>L(mm)</b>	250
<b>conductor(mm)</b>	B* to 30 or Ø8
<b>wersja materiałowa</b>	painting



**AN-KOM 2 Sp. z o.o.**  
 Inwałd, ul. ks. Władysława  
 Bukowińskiego 15  
 34-120 Andrychów



**an-kom.pl**  
 sales@an-kom.pl



tel./fax  
 +48 605 527 132