

HOLDERS WIRE hammered

C462300



**MATERIAL:**

painting

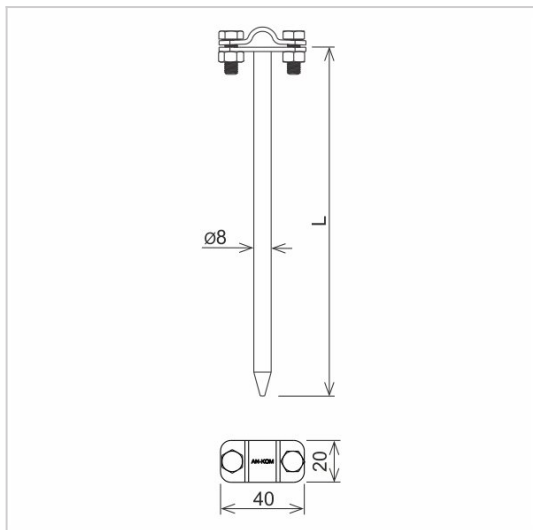
**DESCRIPTION:**

Hammered holder for routing the lightning conductor over wooden structures.

**AVAILABLE COLOURS:**

RAL 3011 - **red**, RAL 8017 - **dark brown**, RAL 7016 - **anthracite grey**,  
RAL 7026 - **granite grey**, RAL 8004 - **brown (brick colour)**, RAL 9005 - **black**

DOSTĘPNE W KOLORACH



<b>symbol</b>	<b>C462300</b>
type	AN-36/LA/
<b>L(mm)</b>	250
<b>conductor(mm)</b>	Ø8
<b>material</b>	painting



AN-KOM 2 Sp. z o.o.  
Inwałd, ul. ks. Władysława  
Bukowińskiego 15  
34-120 Andrychów



an-kom.pl  
sales@an-kom.pl



tel./fax  
+48 605 527 132