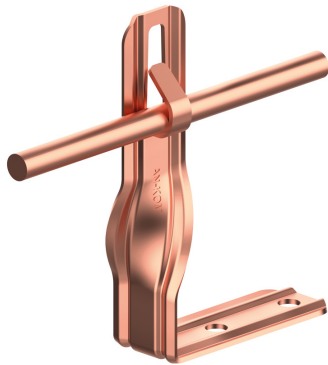


HOLDERS FOR SHEET, FELT, SHINGLE twisted angle holder

C372580

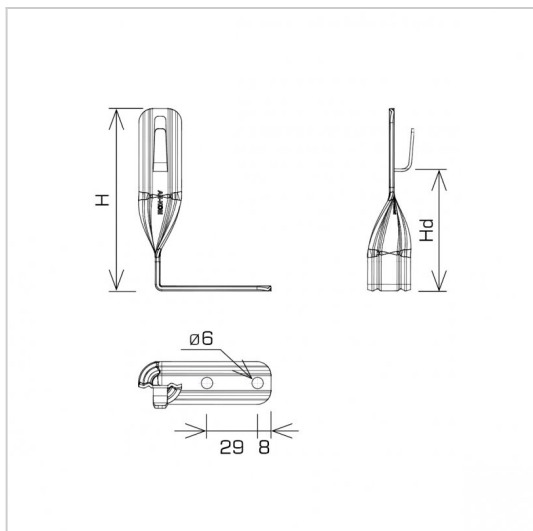


**MATERIAL:**

copper

**DESCRIPTION:**

Holders for conducting the ground wire on the roofs of buildings covered with shingles, roofing felt, sheet metal.



symbol type	<b>C372580</b> AN-09/CU/-N
H(mm)	124
Hd(mm)	90
conductor(mm)	Ø8
material	copper



AN-KOM 2 Sp. z o.o.  
Inwałd, ul. ks. Władysława  
Bukowińskiego 15  
34-120 Andrychów



an-kom.pl  
sales@an-kom.pl



tel./fax  
+48 605 527 132