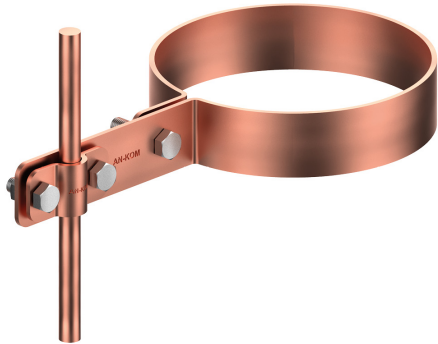


HOLDERS GUTTER drain pipe

C372516

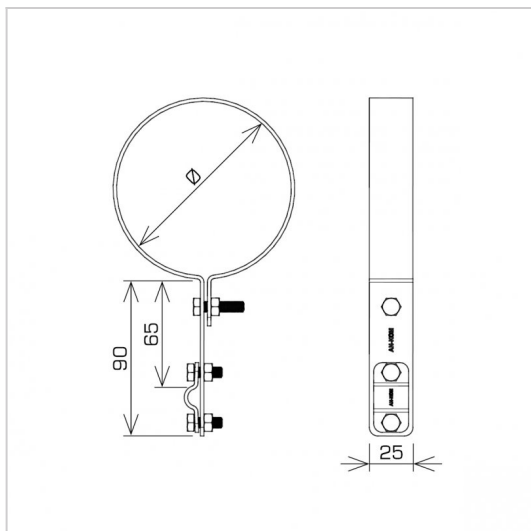


MATERIAL:

copper

DESCRIPTION:

Conducting vertical air terminals along the drain pipe.



symbol	C372516
type	AN-70B/CU/
Ø(mm)	70
cable(mm)	Ø8
material	copper



AN-KOM 2 Sp. z o.o.
Inwałd, ul. ks. Władysława
Bukowińskiego 15
34-120 Andrychów



an-kom.pl
sales@an-kom.pl



tel./fax
+48 605 527 132