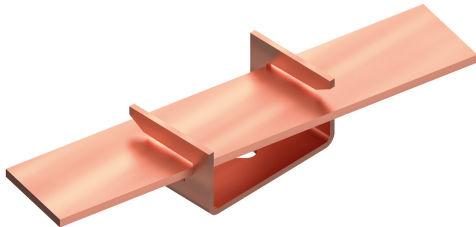


HOLDERS TAPE CONDUCTOR screw-down

C372460



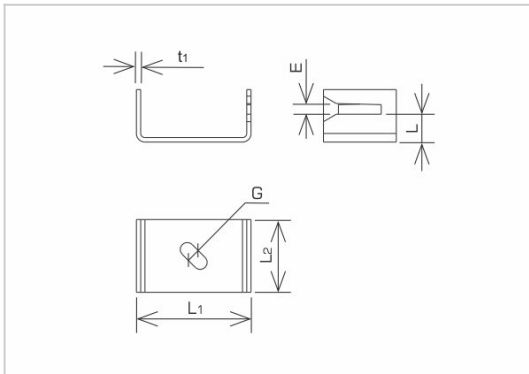
WERSJA MATERIAŁOWA:

copper

OPIS:

For routing flat conductors (tape conductor holder) without spacers on the wall or foundation. Mounting the holder to the ground with an expansion bolt.

*B - maximum width of the tape conductor holder



symbol	C372460
typ	AN-59A/CU/
conductor(mm)	B* to 30
L1 / L2(mm)	54 / 34
L(mm)	13
t1(mm)	2
E(mm)	4
G(mm)	6
wersja materiałowa	copper



AN-KOM 2 Sp. z o.o.
 Inwałd, ul. ks. Władysława
 Bukowińskiego 15
 34-120 Andrychów



an-kom.pl
 sales@an-kom.pl



tel./fax
 +48 605 527 132