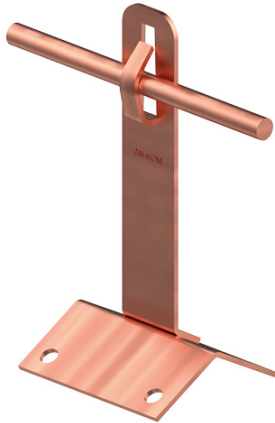


HOLDERS FOR SHEET, FELT, SHINGLE roof top holder

C372096

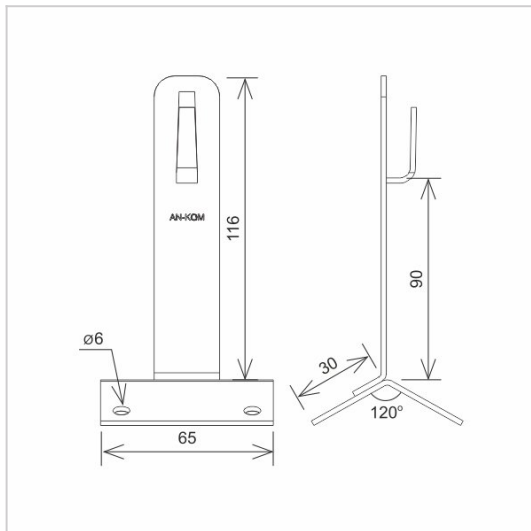


**MATERIAL:**

copper

**DESCRIPTION:**

Installation of the lightning conductor on the roof ridge covered with shingles, sheet metal, roofing felt.



<b>symbol</b>	<b>C372096</b>
type	AN-11B/CU/
<b>conductor(mm)</b>	Ø8
<b>material</b>	copper



AN-KOM 2 Sp. z o.o.  
Inwałd, ul. ks. Władysława  
Bukowińskiego 15  
34-120 Andrychów



an-kom.pl  
sales@an-kom.pl



tel./fax  
+48 605 527 132