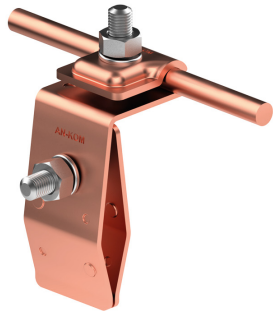


HOLDERS FOR SHEET, FELT, SHINGLE universal seam wire holder

C372012

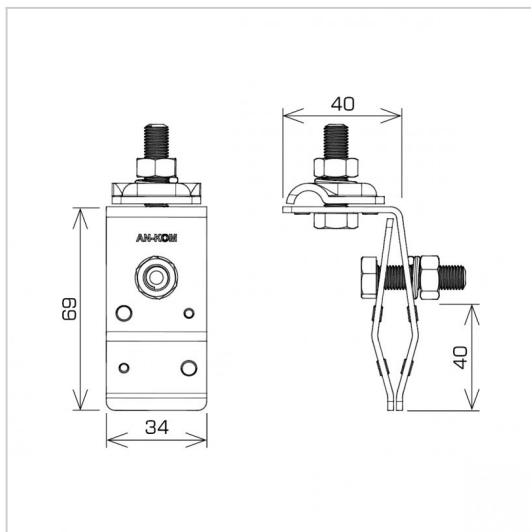


MATERIAL:

copper

DESCRIPTION:

Installation of wires on roofs covered with sheet metal along the seam.



symbol	C372012
type	AN-06B/CU/
conductor(mm)	Ø8
material	copper



AN-KOM 2 Sp. z o.o.
 Inwałd, ul. ks. Władysława
 Bukowińskiego 15
 34-120 Andrychów



an-kom.pl
 sales@an-kom.pl



tel./fax
 +48 605 527 132