

HOLDERS FOR SHEET, FELT, SHINGLE steel plate holder

C282652

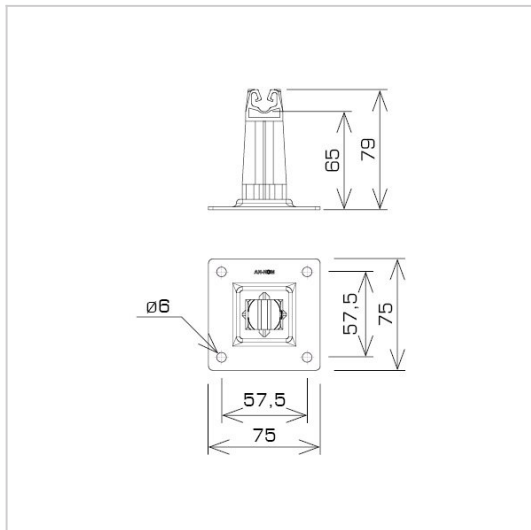


MATERIAL:

stainless acid-resistant V4A steel

DESCRIPTION:

For mounting the lightning conductor on roofs, parapets, superstructures covered with roofing felt, sheet metal.



symbol type	C282652 AN-11P/OH/C-N
pole colour	RAL 9005
conductor(mm)	Ø8
material	stainless acid-resistant V4A steel



AN-KOM 2 Sp. z o.o.
Inwałd, ul. ks. Władysława
Bukowińskiego 15
34-120 Andrychów



an-kom.pl
sales@an-kom.pl



tel./fax
+48 605 527 132