

HOLDERS WIRE screw-in with EasyM plastic pad

C282636



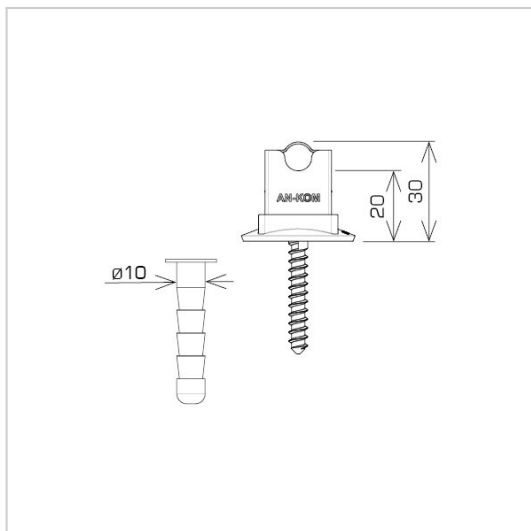
WERSJA MATERIAŁOWA:

stainless acid-resistant V4A steel

OPIS:

Screw-in holder for routing the ground wire on the facade, wooden structures.

The conductor fixing is made of stainless steel.



symbol typ	C282636 AN-59EMC/OH/
conductor(mm)	Ø8
wersja materiałowa	stainless acid-resistant V4A steel



AN-KOM 2 Sp. z o.o.
Inwałd, ul. ks. Władysława
Bukowińskiego 15
34-120 Andrychów



an-kom.pl
sales@an-kom.pl



tel./fax
+48 605 527 132