

HOLDERS FOR SHEET, FELT, SHINGLE straight angle holder

C282592

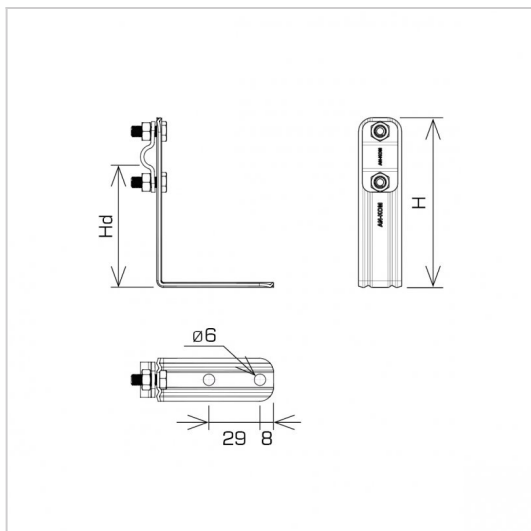


MATERIAL:

stainless acid-resistant V4A steel

DESCRIPTION:

Holders for conducting the ground wire on the roofs of buildings covered with shingles, roofing felt, sheet metal.



symbol type	C282592 AN-10R/OH/-N
H(mm)	96
Hd(mm)	70
conductor(mm)	Ø8
material	stainless acid-resistant V4A steel



AN-KOM 2 Sp. z o.o.
Inwałd, ul. ks. Władysława
Bukowińskiego 15
34-120 Andrychów



an-kom.pl
sales@an-kom.pl



tel./fax
+48 605 527 132