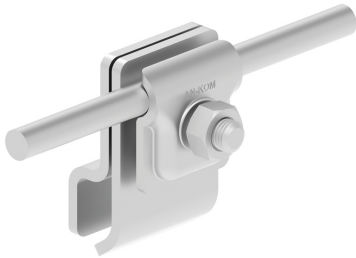


HOLDERS FOR SHEET, FELT, SHINGLE standing seam holder

C282568

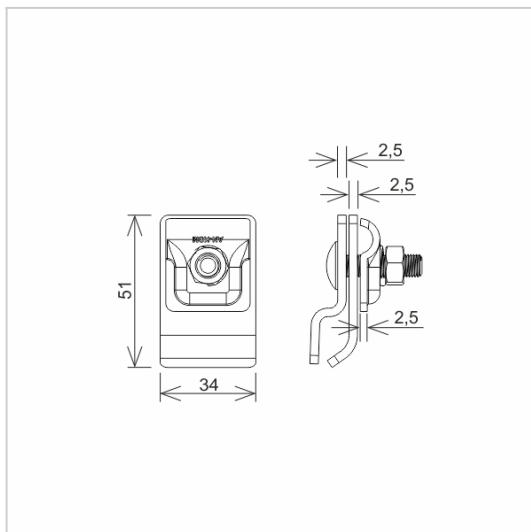


MATERIAL:

stainless acid-resistant V4A steel

DESCRIPTION:

Installation of wires on roofs covered with seam sheet metal. The non-invasive assembly of the holder to the seam eliminates possible water leaks in the places of its assembly.



symbol type	C282568 AN-06J/OH/
conductor(mm)	Ø8
material	stainless acid-resistant V4A steel



AN-KOM 2 Sp. z o.o.
Inwałd, ul. ks. Władysława
Bukowińskiego 15
34-120 Andrychów



an-kom.pl
sales@an-kom.pl



tel./fax
+48 605 527 132