

HOLDERS TENSIONING TENSIONING HOLDERS hammered double holder

C282560

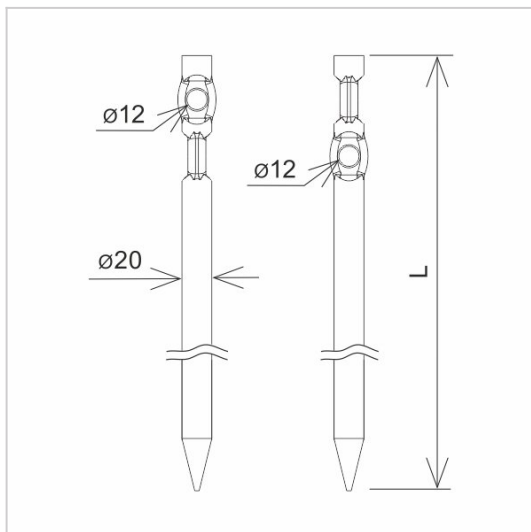


MATERIAL:

stainless acid-resistant V4A steel

DESCRIPTION:

Hammered holders with two holes.



symbol type	C282560 AN-31D30/OH/
L(mm)	300
material	stainless acid-resistant V4A steel



AN-KOM 2 Sp. z o.o.
Inwałd, ul. ks. Władysława
Bukowińskiego 15
34-120 Andrychów



an-kom.pl
sales@an-kom.pl



tel./fax
+48 605 527 132