

HOLDERS GUTTER drain pipe

C282544

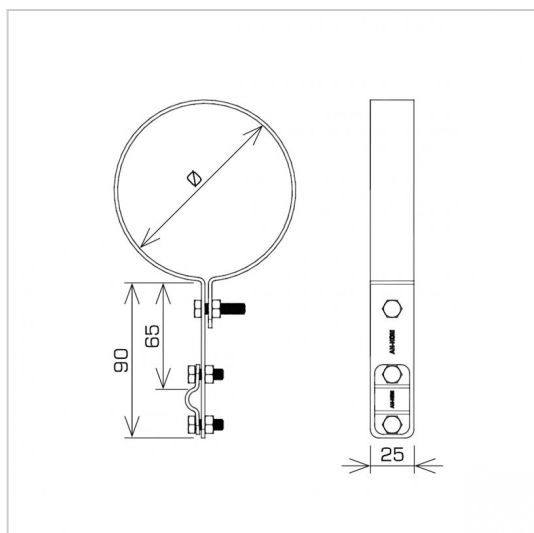


MATERIAL:

stainless acid-resistant V4A steel

DESCRIPTION:

Conducting vertical air terminals along the drain pipe.



symbol type	C282544 AN-70H/OH/
Ø(mm)	150
cabl(e)(mm)	Ø8
material	stainless acid-resistant V4A steel



AN-KOM 2 Sp. z o.o.
 Inwałd, ul. ks. Władysława
 Bukowińskiego 15
 34-120 Andrychów



an-kom.pl
 sales@an-kom.pl



tel./fax
 +48 605 527 132