

HOLDERS GUTTER drain pipe

C282512

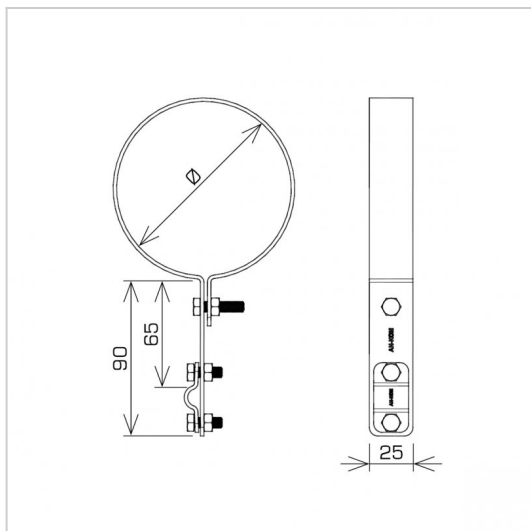


**MATERIAL:**

stainless acid-resistant V4A steel

**DESCRIPTION:**

Conducting vertical air terminals along the drain pipe.



symbol type	<b>C282512</b> AN-70A/OH/
Ø(mm)	60
cable(mm)	Ø8
material	stainless acid-resistant V4A steel



AN-KOM 2 Sp. z o.o.  
 Inwałd, ul. ks. Władysława  
 Bukowińskiego 15  
 34-120 Andrychów



an-kom.pl  
 sales@an-kom.pl



tel./fax  
 +48 605 527 132