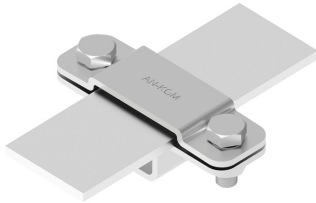


HOLDERS TAPE CONDUCTOR screw-down

C282464



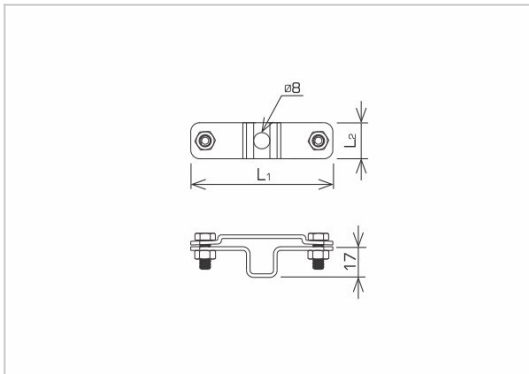
**MATERIAL:**

stainless acid-resistant V4A steel

**DESCRIPTION:**

For routing flat conductors (tape conductor holder) without spacers on the wall or foundation. Mounting the holder to the ground with an expansion bolt.

\*B - maximum width of the tape conductor holder



<b>symbol</b>	<b>C282464</b>
type	AN-59C/OH/
<b>conductor(mm)</b>	B* to 50
<b>L1(mm)</b>	92
<b>L2(mm)</b>	25
<b>material</b>	stainless acid-resistant V4A steel



AN-KOM 2 Sp. z o.o.  
Inwałd, ul. ks. Władysława  
Bukowińskiego 15  
34-120 Andrychów



an-kom.pl  
sales@an-kom.pl



tel./fax  
+48 605 527 132