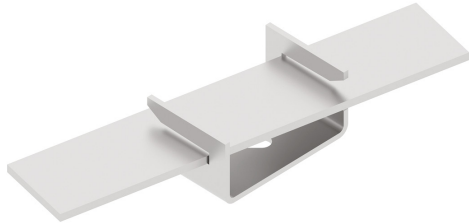


HOLDERS TAPE CONDUCTOR screw-down

C282460



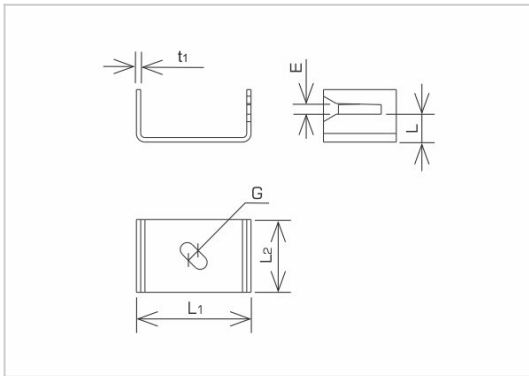
MATERIAL:

stainless acid-resistant V4A steel

DESCRIPTION:

For routing flat conductors (tape conductor holder) without spacers on the wall or foundation. Mounting the holder to the ground with an expansion bolt.

*B - maximum width of the tape conductor holder



symbol	C282460
type	AN-59A/OH/
conductor(mm)	B* to 30
L1 / L2(mm)	54 / 34
L(mm)	13
t1(mm)	2
E(mm)	4
G(mm)	6
material	stainless acid-resistant V4A steel



AN-KOM 2 Sp. z o.o.
Inwałd, ul. ks. Władysława
Bukowińskiego 15
34-120 Andrychów



an-kom.pl
sales@an-kom.pl



tel./fax
+48 605 527 132