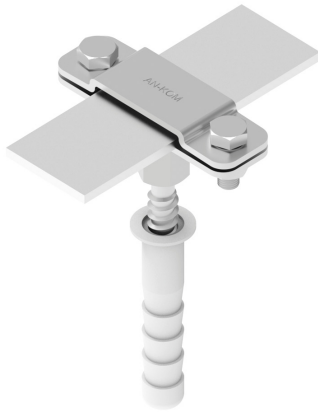


HOLDERS TAPE CONDUCTOR screw-in

C282432



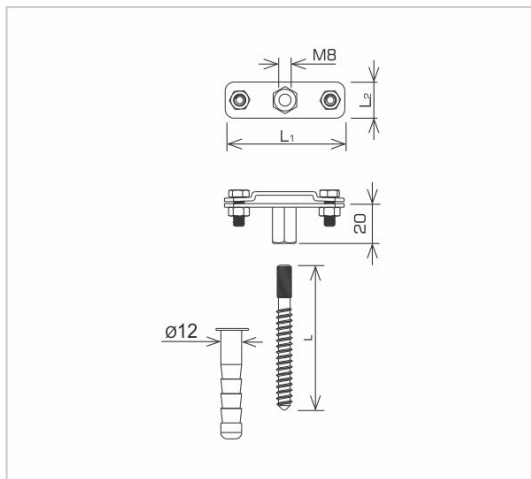
WERSJA MATERIAŁOWA:

stainless acid-resistant V4A steel

OPIS:

Flat conductor (tape conductor holder) mounting holder with expansion bolt included. Wall or foundation mounting.

*B - maximum tape conductor holder width



symbol typ	C282432 AN-58B/OH/
L(mm)	120
conductor(mm)	B* to 30
L1(mm)	66
L2(mm)	20
wersja materiałowa	stainless acid-resistant V4A steel



AN-KOM 2 Sp. z o.o.
Inwałd, ul. ks. Władysława
Bukowińskiego 15
34-120 Andrychów



an-kom.pl
sales@an-kom.pl



tel./fax
+48 605 527 132