

HOLDERS TENSIONING TENSIONING HOLDERS hammered single holder

C282244

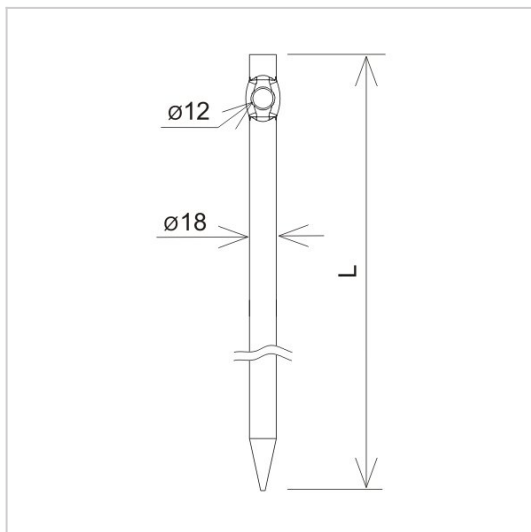


**MATERIAL:**

stainless acid-resistant V4A steel

**DESCRIPTION:**

Hammered single-hole holders.



<b>symbol</b> type	<b>C282244</b> AN-31F/OH/
<b>L(mm)</b>	500
<b>material</b>	stainless acid-resistant V4A steel



AN-KOM 2 Sp. z o.o.  
Inwałd, ul. ks. Władysława  
Bukowińskiego 15  
34-120 Andrychów



an-kom.pl  
sales@an-kom.pl



tel./fax  
+48 605 527 132