

**HOLDERS WIRE screw-on**

**C282164**

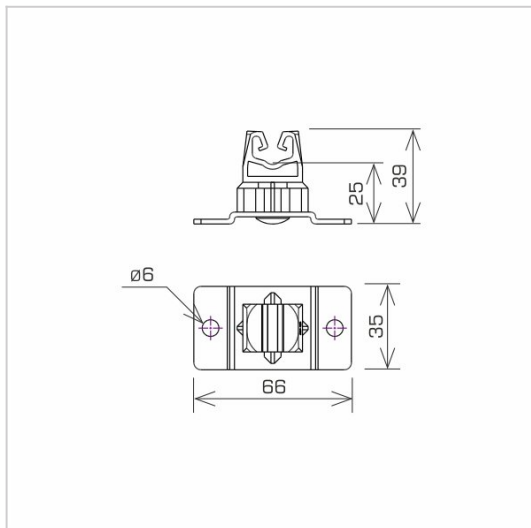


**MATERIAL:**

stainless acid-resistant V4A steel

**DESCRIPTION:**

Screwed holder for routing the lightning conductor on the facade, wooden structures.



<b>symbol</b> type	<b>C282164</b> AN-11UN/OH/S
<b>pole colour</b>	RAL 7047
<b>conductor(mm)</b>	Ø8
<b>material</b>	stainless acid-resistant V4A steel



AN-KOM 2 Sp. z o.o.  
 Inwałd, ul. ks. Władysława  
 Bukowińskiego 15  
 34-120 Andrychów



an-kom.pl  
 sales@an-kom.pl



tel./fax  
 +48 605 527 132