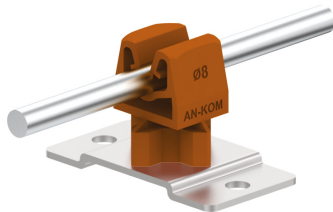


HOLDERS WIRE screw-on

C282156

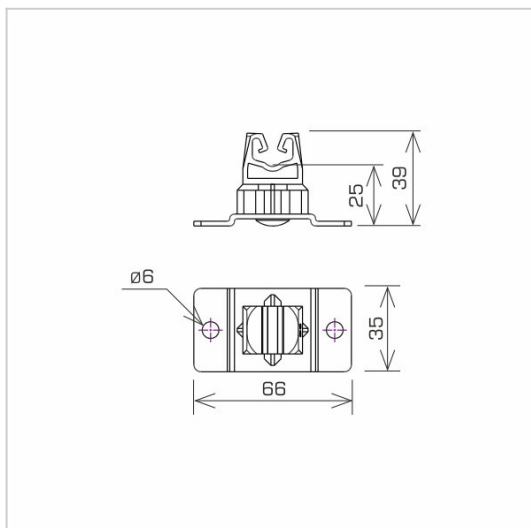


MATERIAL:

stainless acid-resistant V4A steel

DESCRIPTION:

Screwed holder for routing the lightning conductor on the facade, wooden structures.



symbol type	C282156 AN-11UN/OH/
pole colour	RAL 8004
conductor(mm)	Ø8
material	stainless acid-resistant V4A steel



AN-KOM 2 Sp. z o.o.
 Inwałd, ul. ks. Władysława
 Bukowińskiego 15
 34-120 Andrychów



an-kom.pl
 sales@an-kom.pl



tel./fax
 +48 605 527 132