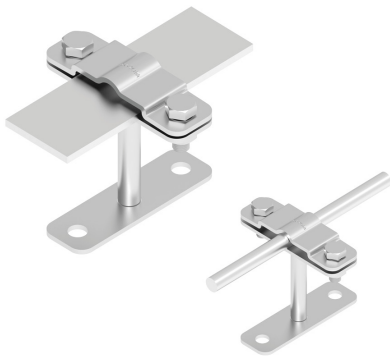


HOLDERS TAPE CONDUCTOR screw-down

C282140



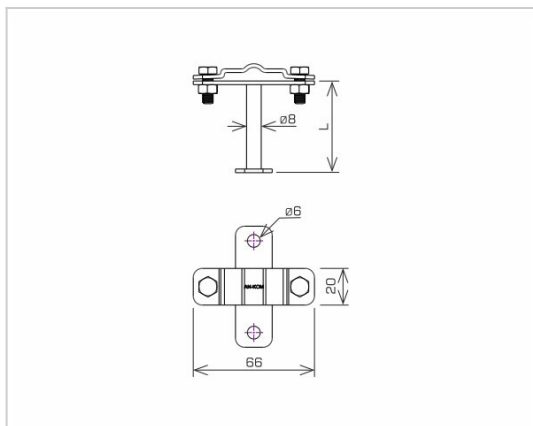
MATERIAL:

stainless acid-resistant V4A steel

DESCRIPTION:

For routing flat conductors (tape conductor holder) without spacers on the wall or foundation. Mounting the holder to the ground with an expansion bolt.

*B - maximum width of the tape conductor holder



symbol type	C282140 AN-11T-50/OH/
L(mm)	50
conductor(mm)	B* to 30 or Ø8
material	stainless acid-resistant V4A steel



AN-KOM 2 Sp. z o.o.
 Inwałd, ul. ks. Władysława
 Bukowińskiego 15
 34-120 Andrychów



an-kom.pl
 sales@an-kom.pl



tel./fax
 +48 605 527 132