

HOLDERS FOR SHEET, FELT, SHINGLE twisted seam wire holder

C282052

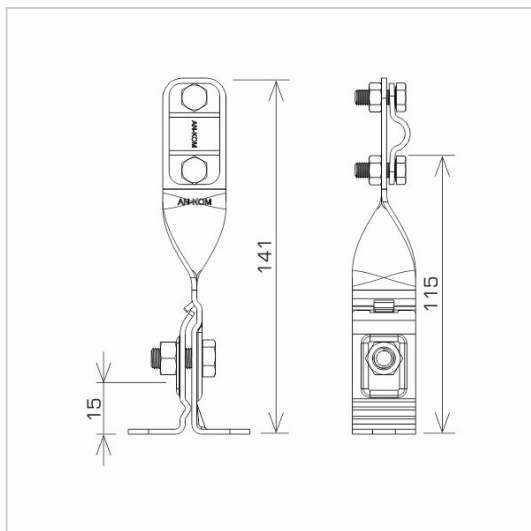


MATERIAL:

stainless acid-resistant V4A steel

DESCRIPTION:

Installation of wires on roofs covered with sheet metal along the seam.



symbol type	C282052 AN-08A/OH/
conductor(mm)	Ø8
material	stainless acid-resistant V4A steel



AN-KOM 2 Sp. z o.o.
 Inwałd, ul. ks. Władysława
 Bukowińskiego 15
 34-120 Andrychów



an-kom.pl
 sales@an-kom.pl



tel./fax
 +48 605 527 132