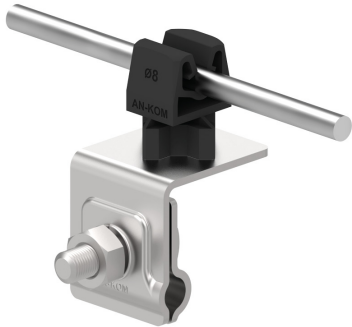


**HOLDERS FOR SHEET, FELT, SHINGLE universal seam wire holder**

**C282040**

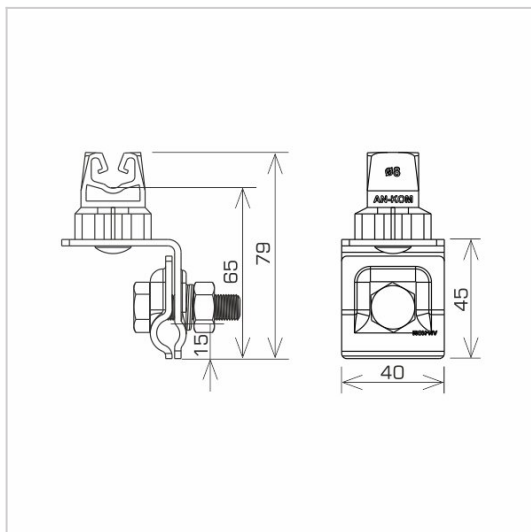


**MATERIAL:**

stainless acid-resistant V4A steel

**DESCRIPTION:**

Installation of wires on roofs covered with sheet metal along the seam.



<b>symbol</b> type	<b>C282040</b> AN-06HN/OH/C
<b>pole colour</b>	RAL 9005
<b>conductor(mm)</b>	Ø8
<b>material</b>	stainless acid-resistant V4A steel



AN-KOM 2 Sp. z o.o.  
Inwałd, ul. ks. Władysława  
Bukowińskiego 15  
34-120 Andrychów



an-kom.pl  
sales@an-kom.pl



tel./fax  
+48 605 527 132