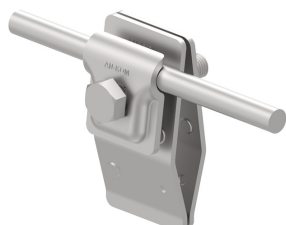


**HOLDERS FOR SHEET, FELT, SHINGLE seam wire holder**

**C282020**

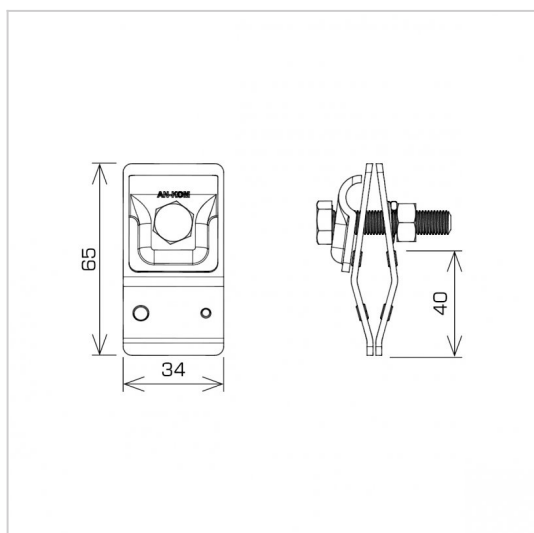


**MATERIAL:**

stainless acid-resistant V4A steel

**DESCRIPTION:**

Installation of wires on roofs covered with sheet metal along the seam.



<b>symbol</b>	<b>C282020</b>
type	AN-06G/OH/
<b>conductor(mm)</b>	Ø8
<b>material</b>	stainless acid-resistant V4A steel



**AN-KOM 2 Sp. z o.o.**  
 Inwałd, ul. ks. Władysława  
 Bukowińskiego 15  
 34-120 Andrychów



**an-kom.pl**  
**sales@an-kom.pl**



tel./fax  
**+48 605 527 132**