

HOLDERS FOR SHEET, FELT, SHINGLE roof top holder

C192756

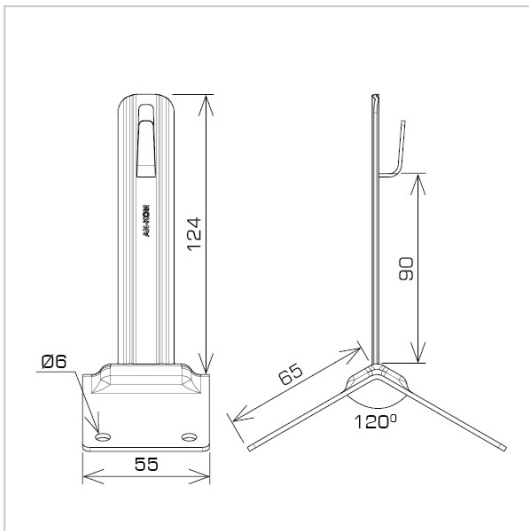


MATERIAL:

hot galvanised steel

DESCRIPTION:

Installation of the lightning conductor on the roof ridge covered with shingles, sheet metal, roofing felt.



symbol	C192756
type	AN-11B/OG/-N
conductor(mm)	Ø8
material	hot galvanised steel



AN-KOM 2 Sp. z o.o.
Inwałd, ul. ks. Władysława
Bukowińskiego 15
34-120 Andrychów



an-kom.pl
sales@an-kom.pl



tel./fax
+48 605 527 132