

HOLDERS FOR SHEET, FELT, SHINGLE steel plate holder

C192656

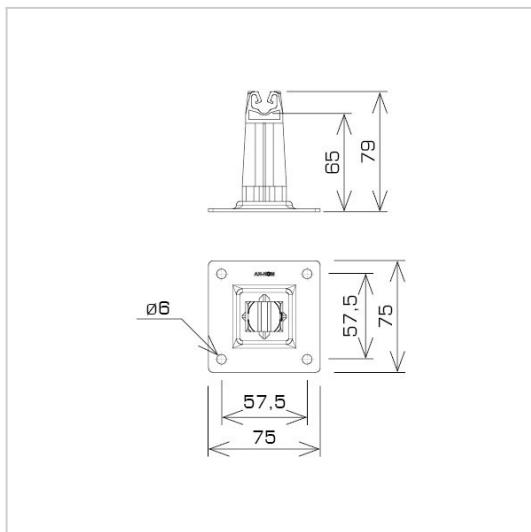


MATERIAL:

hot galvanised steel

DESCRIPTION:

For mounting the lightning conductor on roofs, parapets, superstructures covered with roofing felt, sheet metal.



symbol type	C192656 AN-11P/OG/S-N
pole colour	RAL 7047
conductor(mm)	Ø8
material	hot galvanised steel



AN-KOM 2 Sp. z o.o.
Inwałd, ul. ks. Władysława
Bukowińskiego 15
34-120 Andrychów



an-kom.pl
sales@an-kom.pl



tel./fax
+48 605 527 132