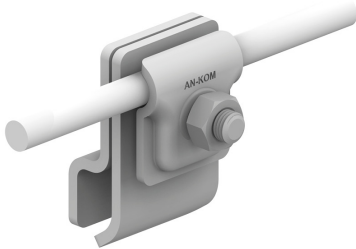


**HOLDERS FOR SHEET, FELT, SHINGLE standing seam holder**

**C192568**

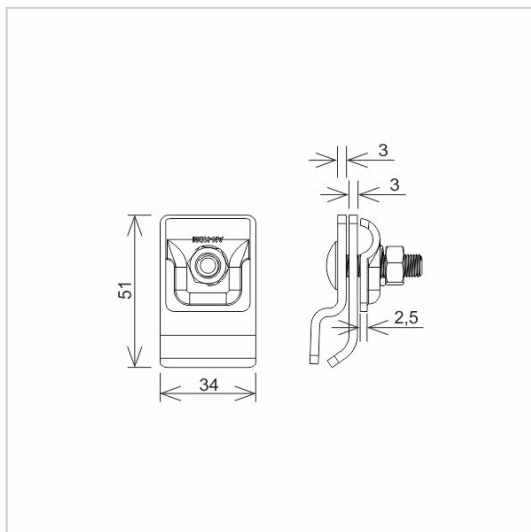


**MATERIAL:**

hot galvanised steel

**DESCRIPTION:**

Installation of wires on roofs covered with seam sheet metal. The non-invasive assembly of the holder to the seam eliminates possible water leaks in the places of its assembly.



<b>symbol</b>	<b>C192568</b>
type	AN-06J/OG/
<b>conductor(mm)</b>	Ø8
<b>material</b>	hot galvanised steel



AN-KOM 2 Sp. z o.o.  
Inwałd, ul. ks. Władysława  
Bukowińskiego 15  
34-120 Andrychów



an-kom.pl  
sales@an-kom.pl



tel./fax  
+48 605 527 132