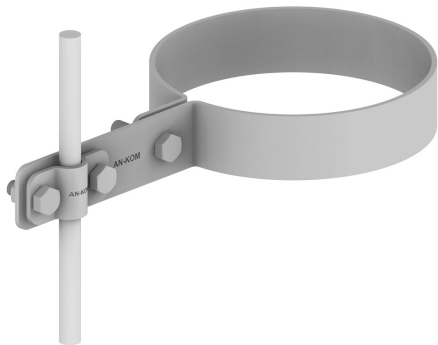


HOLDERS GUTTER drain pipe

C192536

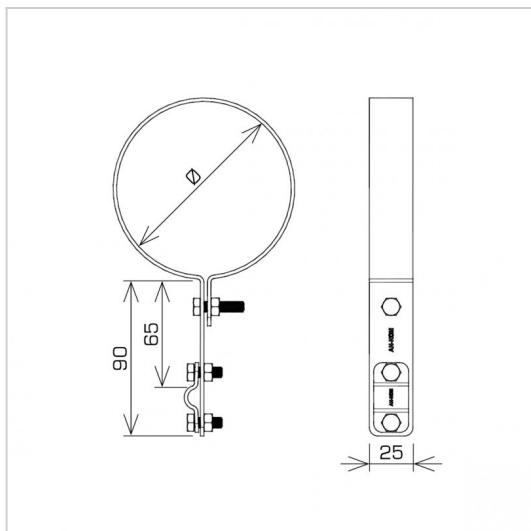


MATERIAL:

hot galvanised steel

DESCRIPTION:

Conducting vertical air terminals along the drain pipe.



symbol type	C192536 AN-70F/OG/
Ø(mm)	110
cable(mm)	Ø8
material	hot galvanised steel



AN-KOM 2 Sp. z o.o.
Inwałd, ul. ks. Władysława
Bukowińskiego 15
34-120 Andrychów



an-kom.pl
sales@an-kom.pl



tel./fax
+48 605 527 132