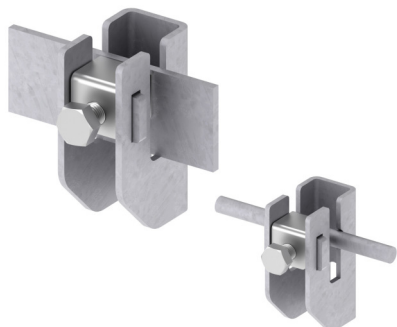


**HOLDERS TAPE CONDUCTOR screw-down**

**C192472**



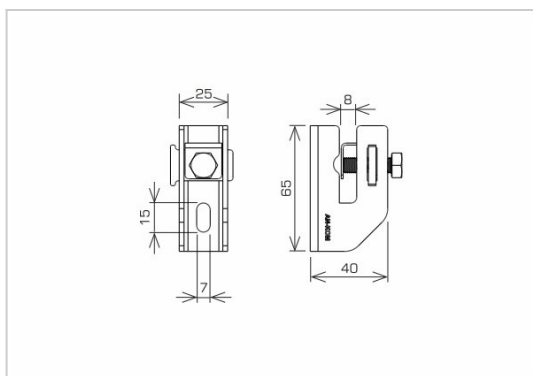
**WERSJA MATERIAŁOWA:**

hot galvanised steel

**OPIS:**

For routing flat conductors (tape conductor holder) without spacers on the wall or foundation. Mounting the holder to the ground with an expansion bolt.

\*B - maximum width of the tape conductor holder



<b>symbol</b> typ	<b>C192472</b> AN-59E/OG/
<b>conductor(mm)</b>	B* to 50 or Ø8
<b>wersja materiałowa</b>	hot galvanised steel



AN-KOM 2 Sp. z o.o.  
Inwałd, ul. ks. Władysława  
Bukowińskiego 15  
34-120 Andrychów



an-kom.pl  
sales@an-kom.pl



tel./fax  
+48 605 527 132