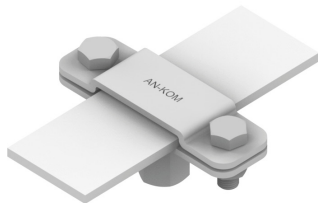


HOLDERS TAPE CONDUCTOR screw-on

C192424



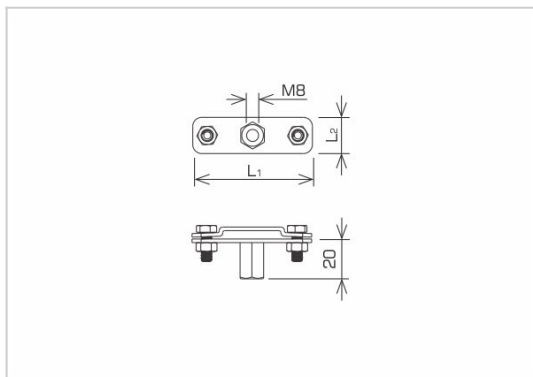
MATERIAL:

hot galvanised steel

DESCRIPTION:

For routing flat conductors (tape conductor holder) along the wall or foundation. The handle ended with an M8 internal thread.

*B - maximum tape conductor holder width



symbol type	C192424 AN-58/OG/
conductor(mm)	B* to 30
L1(mm)	66
L2(mm)	20
material	hot galvanised steel



AN-KOM 2 Sp. z o.o.
 Inwałd, ul. ks. Władysława
 Bukowińskiego 15
 34-120 Andrychów



an-kom.pl
 sales@an-kom.pl



tel./fax
 +48 605 527 132