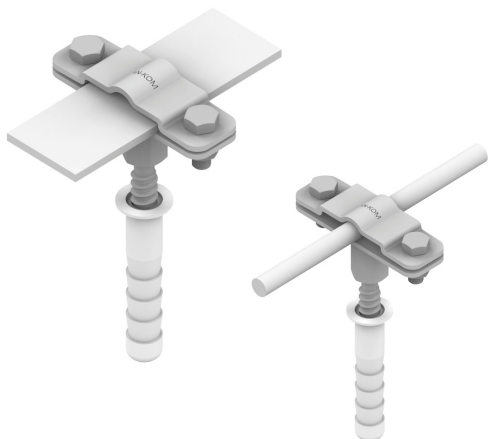


HOLDERS TAPE CONDUCTOR screw-in

C192412



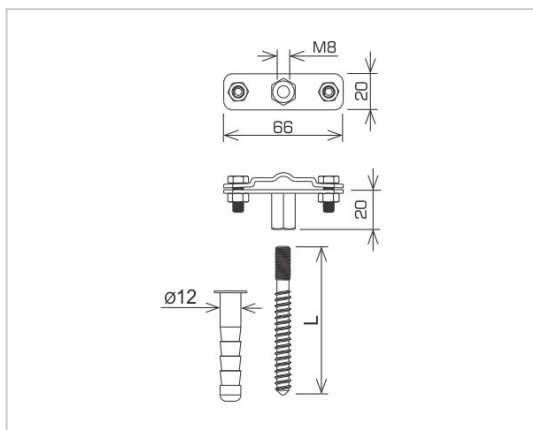
MATERIAL:

hot galvanised steel

DESCRIPTION:

Flat conductor (tape conductor holder) mounting holder with expansion bolt included. Wall or foundation mounting.

*B - maximum tape conductor holder width



symbol type	C192412 AN-57A/OG/
L(mm)	80
conductor(mm)	B* to 30 or Ø8
material	hot galvanised steel



AN-KOM 2 Sp. z o.o.
 Inwałd, ul. ks. Władysława
 Bukowińskiego 15
 34-120 Andrychów



an-kom.pl
 sales@an-kom.pl



tel./fax
 +48 605 527 132