

HOLDERS WIRE screw-in

C192348

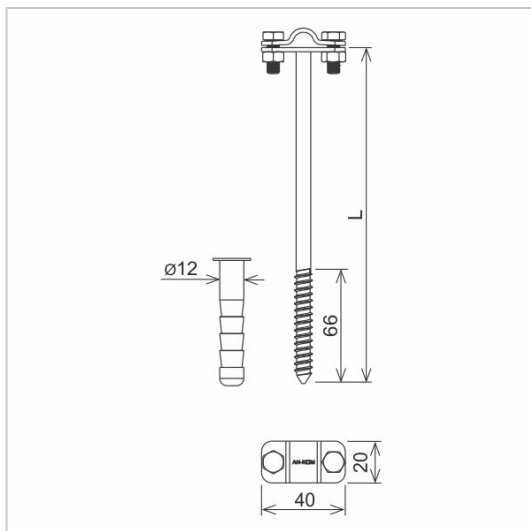


MATERIAL:

hot galvanised steel

DESCRIPTION:

Screw-in holder for routing the ground wire on the facade, wooden structures.



symbol	C192348
type	AN-43/OG/
L(mm)	210
conductor(mm)	Ø8
material	hot galvanised steel



AN-KOM 2 Sp. z o.o.
Inwałd, ul. ks. Władysława
Bukowińskiego 15
34-120 Andrychów



an-kom.pl
sales@an-kom.pl



tel./fax
+48 605 527 132