

HOLDERS WIRE screw-in

C192340

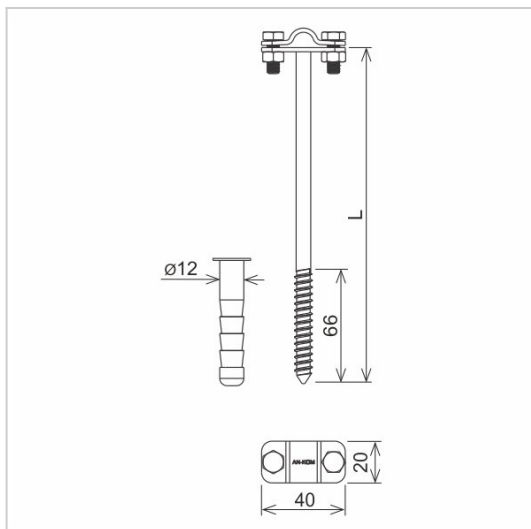


**MATERIAL:**

hot galvanised steel

**DESCRIPTION:**

Screw-in holder for routing the ground wire on the facade, wooden structures.



<b>symbol</b> type	<b>C192340</b> AN-42/OG/
<b>L(mm)</b>	180
<b>conductor(mm)</b>	Ø8
<b>material</b>	hot galvanised steel



AN-KOM 2 Sp. z o.o.  
Inwałd, ul. ks. Władysława  
Bukowińskiego 15  
34-120 Andrychów



an-kom.pl  
sales@an-kom.pl



tel./fax  
+48 605 527 132