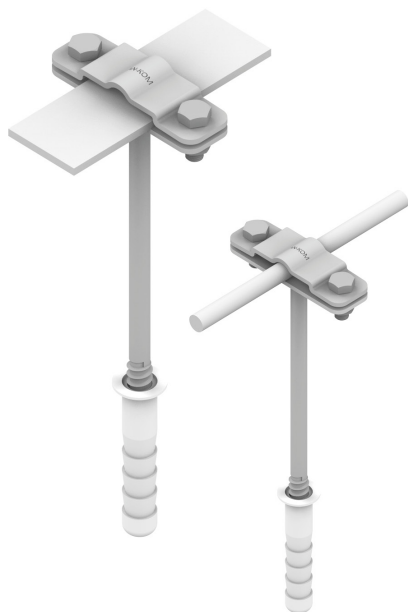


**HOLDERS TAPE CONDUCTOR screw-in**

**C192328**



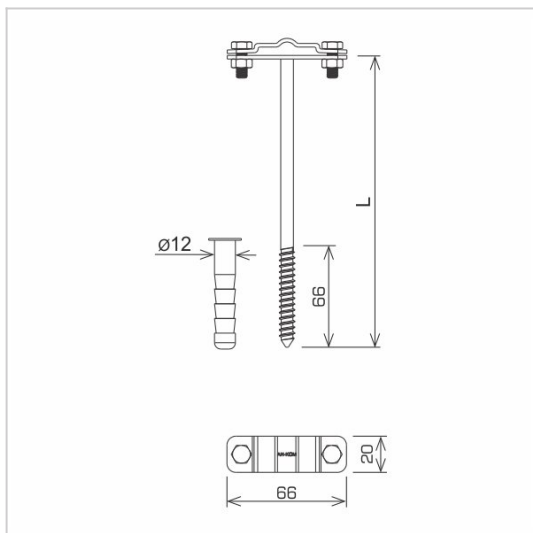
**MATERIAL:**

hot galvanised steel

**DESCRIPTION:**

Flat conductor (tape conductor holder) mounting holder with expansion bolt included. Wall or foundation mounting.

\*B - maximum tape conductor holder width



<b>symbol</b> type	<b>C192328</b> AN-40D/OG/
<b>L(mm)</b>	120
<b>conductor(mm)</b>	B* to 30 or Ø8
<b>material</b>	hot galvanised steel



**AN-KOM 2 Sp. z o.o.**  
 Inwałd, ul. ks. Władysława  
 Bukowińskiego 15  
 34-120 Andrychów



**an-kom.pl**  
 sales@an-kom.pl



tel./fax  
 +48 605 527 132