

HOLDERS WIRE screw-in

C192324

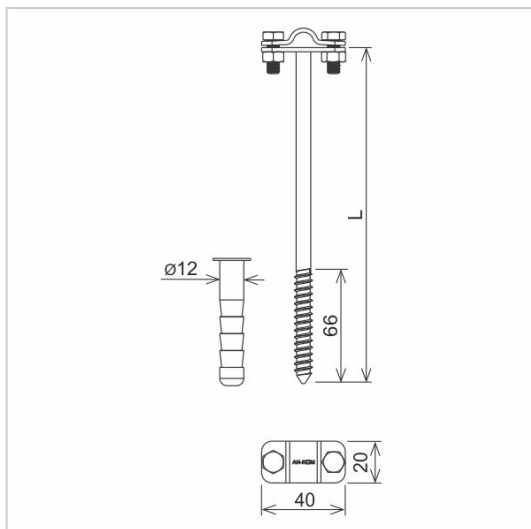


**MATERIAL:**

hot galvanised steel

**DESCRIPTION:**

Screw-in holder for routing the ground wire on the facade, wooden structures.



symbol	<b>C192324</b>
type	AN-40C/OG/
L(mm)	120
conductor(mm)	Ø8
material	hot galvanised steel



AN-KOM 2 Sp. z o.o.  
Inwałd, ul. ks. Władysława  
Bukowińskiego 15  
34-120 Andrychów



an-kom.pl  
sales@an-kom.pl



tel./fax  
+48 605 527 132