

HOLDERS TENSIONING TENSIONING HOLDERS hammered double holder

C192232

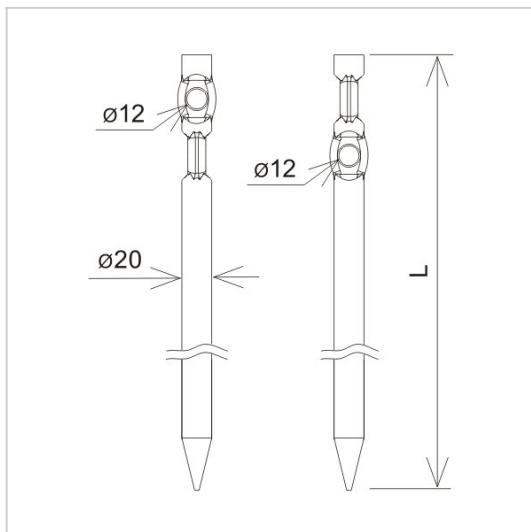


MATERIAL:

hot galvanised steel

DESCRIPTION:

Hammered holders with two holes.



symbol	C192232
type	AN-31D/OG/
L(mm)	400
material	hot galvanised steel



AN-KOM 2 Sp. z o.o.
Inwałd, ul. ks. Władysława
Bukowińskiego 15
34-120 Andrychów



an-kom.pl
sales@an-kom.pl



tel./fax
+48 605 527 132