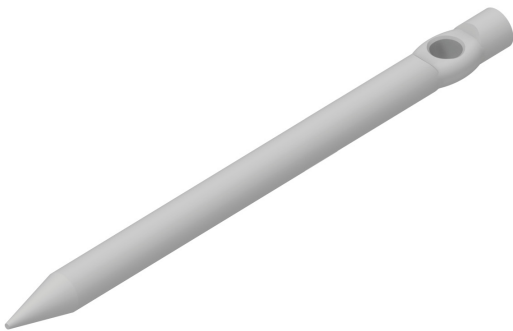


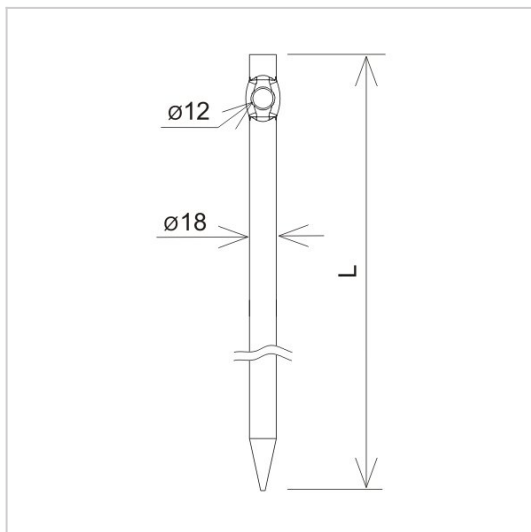
HOLDERS TENSIONING TENSIONING HOLDERS hammered single holder

C192228



MATERIAL:
hot galvanised steel

DESCRIPTION:
Hammered single-hole holders.



symbol type	C192228 AN-31C/OG/
L(mm)	350
material	hot galvanised steel



AN-KOM 2 Sp. z o.o.
Inwałd, ul. ks. Władysława
Bukowińskiego 15
34-120 Andrychów



an-kom.pl
sales@an-kom.pl



tel./fax
+48 605 527 132