

HOLDERS TENSIONING TENSION SCREWS butterfly

C192200

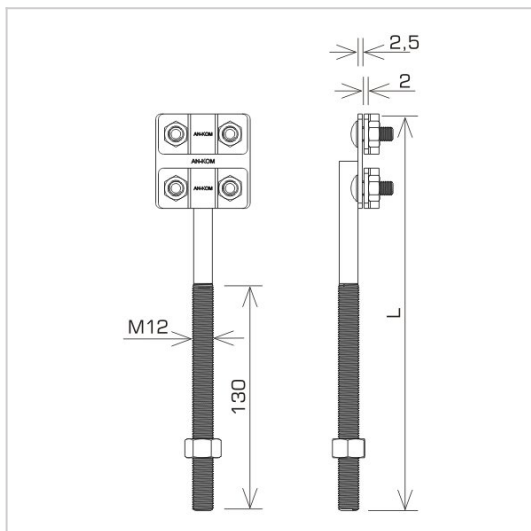


MATERIAL:

hot galvanised steel

DESCRIPTION:

Tension (butterfly) screws. In combination with tensioning holders, they allow to build tensioning installations.



symbol type	C192200 AN-30/OG/
L(mm)	225
material	hot galvanised steel



AN-KOM 2 Sp. z o.o.
Inwałd, ul. ks. Władysława
Bukowińskiego 15
34-120 Andrychów



an-kom.pl
sales@an-kom.pl



tel./fax
+48 605 527 132