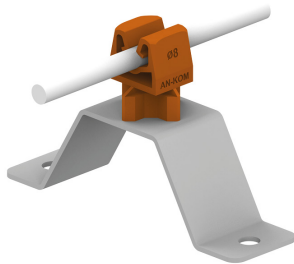


**HOLDERS FOR SHEET, FELT, SHINGLE screw-down holder**

**C192180**

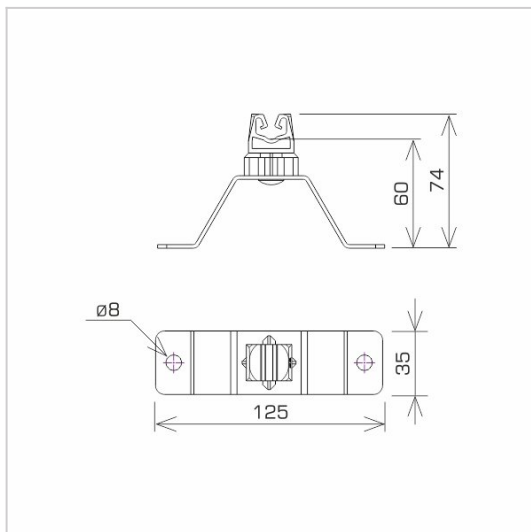


**MATERIAL:**

hot galvanised steel

**DESCRIPTION:**

Universal holder for routing the ground wire on a roof covered with sheet metal, roofing felt or shingle.



<b>symbol</b> type	<b>C192180</b> AN-11WN/OG/
<b>pole colour</b>	RAL 8004
<b>conductor(mm)</b>	Ø8
<b>material</b>	hot galvanised steel



AN-KOM 2 Sp. z o.o.  
Inwałd, ul. ks. Władysława  
Bukowińskiego 15  
34-120 Andrychów



an-kom.pl  
sales@an-kom.pl



tel./fax  
+48 605 527 132