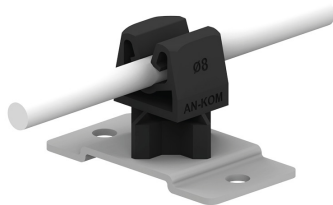


HOLDERS WIRE screw-on

C192160

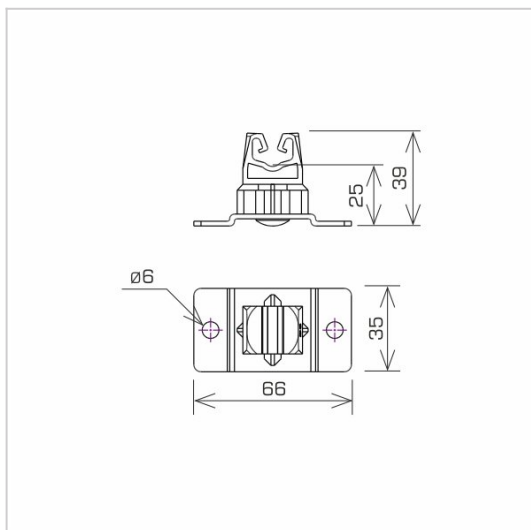


MATERIAL:

hot galvanised steel

DESCRIPTION:

Screwed holder for routing the lightning conductor on the facade, wooden structures.



symbol type	C192160 AN-11UN/OG/C
pole colour	RAL 9005
conductor(mm)	Ø8
material	hot galvanised steel



AN-KOM 2 Sp. z o.o.
 Inwałd, ul. ks. Władysława
 Bukowińskiego 15
 34-120 Andrychów



an-kom.pl
 sales@an-kom.pl



tel./fax
 +48 605 527 132